

TRIPLE H - High Ambient High Output High Efficacy Highbay

PHOTOMETRIC DATA: IES_HHH_5K_HB_MO_16.02054 | 8.08.16

LUMINAIRE DATA

HHH-5K-HB-MO

Luminaire- Narrow distribution modular highbay with clear acrylic refractor

DRIVER: 95 WATT PHILIPS ADVANCE

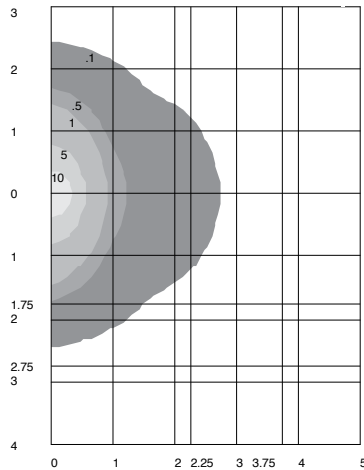
Driver Factor	1.0
Lamp	LED
Lumens	40,664
Watts	323.0
Efficacy	125.9
Mounting	Pendant
Spacing Criterion	1.4 (0°) 1.0 (90°)

LUMINOUS OPENING IN FEET

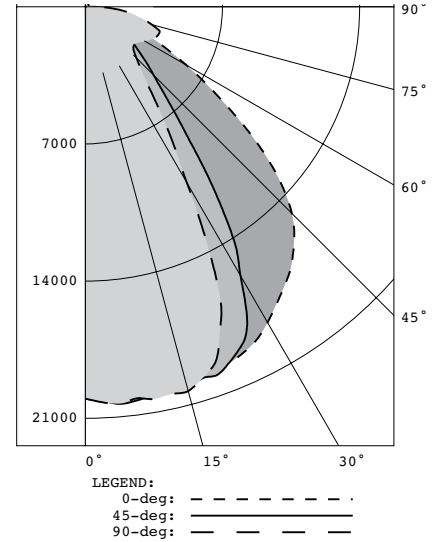
Length	25.0 ft. (Diameter)
Width	15.0 ft. (Diameter)

ZONE	LUMENS	% FIXT.
0-30	15,828	38.9
0-40	23,378	57.5
0-60	32,754	80.5
0-90	39,806	97.9
90-120	414	1.0
90-130	551	1.4
90-150	789	1.9
90-180	858	2.1

ISOMETRIC FOOT CANDLES



POLAR GRAPH



PHOTOMETRIC DATA: IES_HHH_5K_HB_HO_16.01899 | 7.19.16

LUMINAIRE DATA

HHH-5K-HB-HO

Luminaire- Narrow distribution modular highbay with clear acrylic refractor

DRIVER: 95 WATT PHILIPS ADVANCE

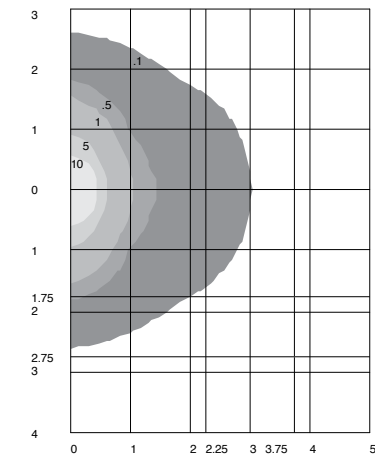
Driver Factor	1.0
Lamp	LED
Lumens	54,038
Watts	430.9
Efficacy	125.4
Mounting	Pendant
Spacing Criterion	1.4 (0°) 1.0 (90°)

LUMINOUS OPENING IN FEET

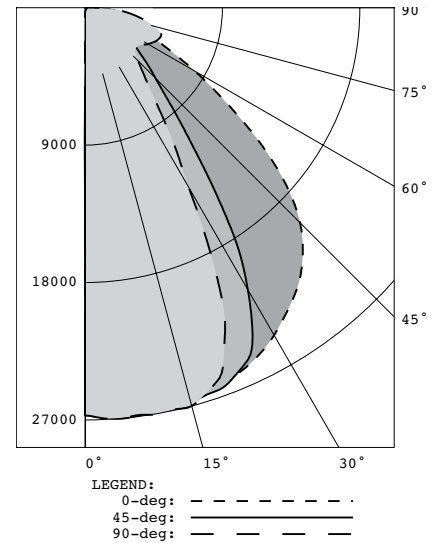
Length	26 ft. (Diameter)
Width	28 ft. (Diameter)

ZONE	LUMENS	% FIXT.
0-30	21,047	38.9
0-40	31,058	57.5
0-60	43,512	80.5
0-90	52,904	97.9
90-120	563	1.0
90-130	743	1.4
90-150	1,042	1.9
90-180	1,135	2.1

ISOMETRIC FOOT CANDLES



POLAR GRAPH



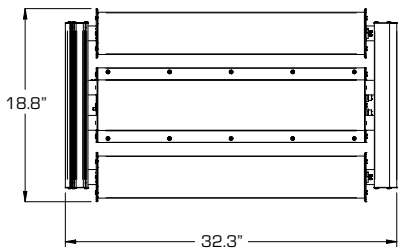
TECHNICAL DATA

	CATALOG STRING	LUMEN OUTPUT	WATTS	LUMINAIRE EFFICACY	CCT	CRI	APPROX. INSTALLED WEIGHT	SPACING RATIO	AMP DRAW								
									120V	208V	240V	277V	347V	480V			
HIGHBAY	LO	D	HHH-5K-HB-LO-D	24078	215	112	5000	83	45	1.3	1.82	1.04	0.91	0.80	0.62	0.44	
		N	HHH-5K-HB-LO-N	27137													1.0
		M	HHH-5K-HB-LO-M	28786													1.3
		W	HHH-5K-HB-LO-W	27572													1.7
		No Lens	HHH-5K-HB-LO	29791													1.3
	MO	D	HHH-5K-HB-MO-D	36685	323	114	5000	83	54	1.3	2.71	1.55	1.35	1.19	0.92	0.67	
		N	HHH-5K-HB-MO-N	40664													1.0
		M	HHH-5K-HB-MO-M	43205													1.3
		W	HHH-5K-HB-MO-W	41167													1.7
		No Lens	HHH-5K-HB-MO	44919													1.3
	HO	D	HHH-5K-HB-HO-D	48824	431	113	5000	83	65	1.3	3.63	2.08	1.82	1.59	1.22	0.86	
		N	HHH-5K-HB-HO-N	54038													1.0
		M	HHH-5K-HB-HO-M	57540													1.3
		W	HHH-5K-HB-HO-W	54948													1.7
		No Lens	HHH-5K-HB-HO	59632													1.3

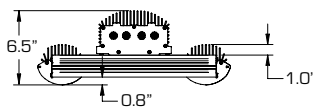
TRIPLE H - High Ambient High Output High Efficacy Highbay

DIMENSIONS

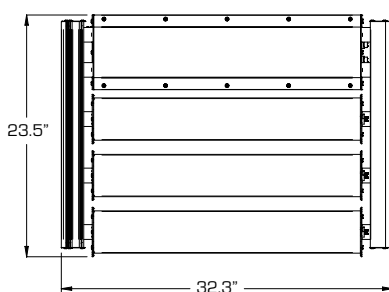
HIGHBAY TWIN
TOP VIEW



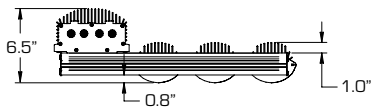
END VIEW



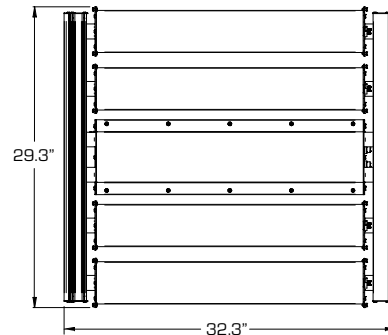
HIGHBAY TRIO
TOP VIEW



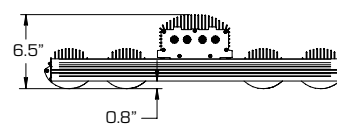
END VIEW



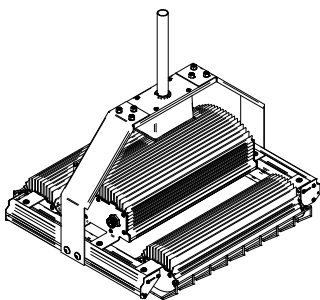
HIGHBAY QUAD
TOP VIEW



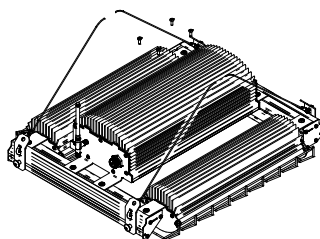
END VIEW



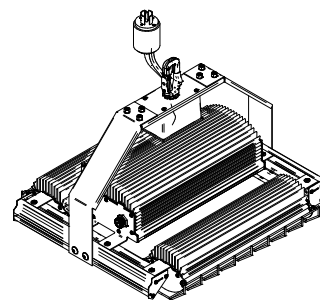
*Dimensions are based on round lens option



PENDANT MOUNTING OPTION
INTEGRAL YOKE & WIRING BOX STD.
(SUPPLY AC POWER CORD NOT SHOWN)



AIRCRAFT CABLE MOUNTING OPTION
(SUPPLY AC POWER CORD NOT SHOWN)



HOOKLOOP MOUNTING OPTION
INTEGRAL YOKE & WIRING BOX STD.
(SUPPLY AC POWER CORD NOT SHOWN)

APPLICATION GUIDE

			HID REPLACEMENT				
			250W	320W/350W/400W	600W	750W	1000W
			HPS, MH, PSMH	MH, PSMH	HPS	PSMH	MH, PSMH
HIGHBAY	LO	LUMENS	30,000		485W SAVED/FIXTURE	595W SAVED/FIXTURE	
	MO		45,000			450W SAVED/FIXTURE	720W SAVED/FIXTURE
	HO		60,000				645W SAVED/FIXTURE

ACCESSORIES

ITEM	PART NUMBER	DESCRIPTION
Lens		
26-inch diffuse	93075044	LENS-REPL HB RND DIFF ACRYL DIFFUSE
26-inch medium	93075046	LENS-REPL HB FLAT CLR ACRYL MEDIUM
26-inch narrow	93075048	LENS-REPL HB FLAT CLR ACRYL NARROW
26-inch wide	93075050	LENS-REPL HB FLAT CLR ACRYL WIDE
Wire Guard		
26-inch flat	93075052	ASM-REPL WG FLAT HB HHH WHITE
26-inch round	93075055	ASM-REPL WG RND HB HHH WHITE
26-inch flat	93077271	ASM-REPL WG FLAT HB HHH GRAY
26-inch round	93077273	ASM-REPL WG RND HB HHH GRAY

REPLACEMENTS

ITEM	PART NUMBER	DESCRIPTION
Light Engines		
26-inch LED board 5K	93075033	PCB-REPL ASM 512CT 80CRI 5000K
26-inch LED board 4K	93075035	PCB-REPL ASM 512CT 80CRI 4000K
Drivers		
95W Driver 120-277V	93075036	ASSY-REPL ADV DRVR-XI095W UNIV.
50W Driver	93075037	ASSY-REPL ADV DRVR-XI050W UNIV.
95W Driver 347-480V	93075038	ASSY-REPL ADV DRVR-XH095W 347-480V